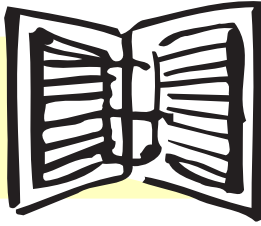


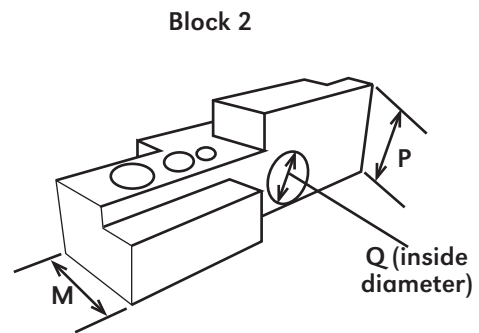
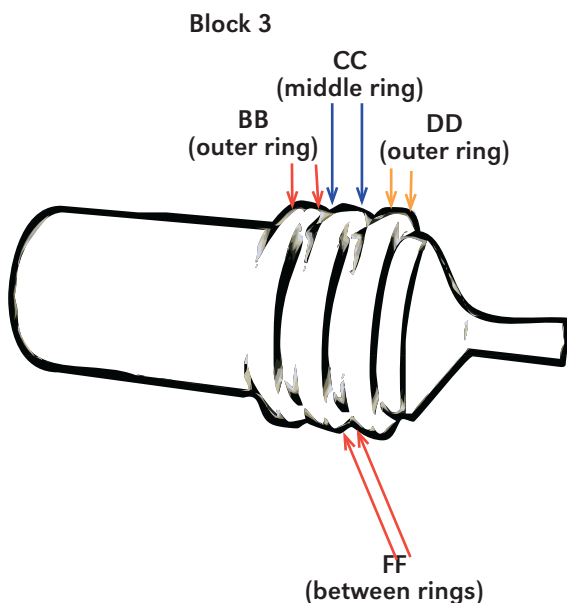
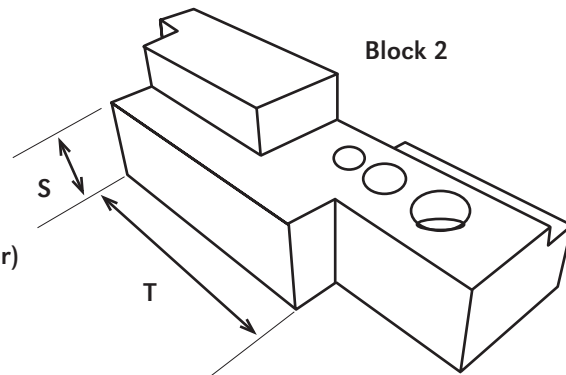
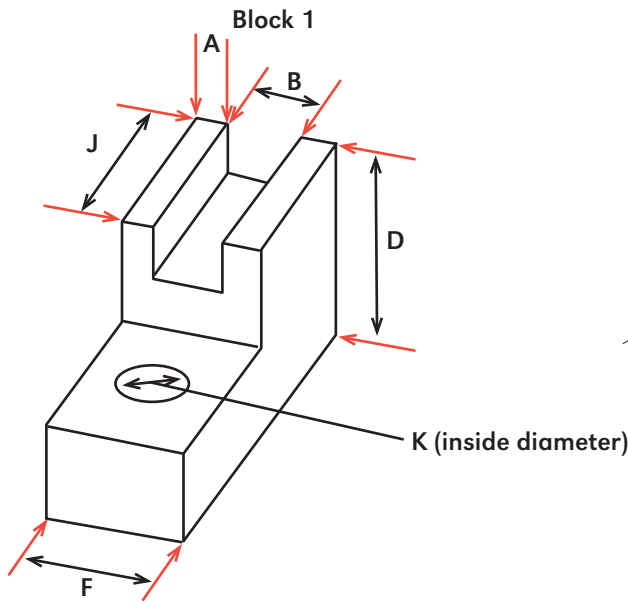
Activity 8 Worksheet



Precision Measure Student Workbook

At the end of each activity, follow the instructions for taking the daily response tests. Write down your answers on this sheet and keep it to turn it in to your instructor. Do not write inside the workbook.

Using the dial indicator vernier caliper, measure the following sides of the blocks as indicated by the diagrams below. Express your answers in thousandths of an inch and record them on the blanks provided.



Block 1

- 1. The thickness of A in block 1
- 2. The space of B in block 1
- 3. The height of D in block 1
- 4. The width of F in block 1
- 5. The length of J in block 1
- 6. The diameter of K in block 1

Answers

- 1. _____
- 2. _____
- 3. _____
- 4. _____
- 5. _____
- 6. _____

Block 2

- 7. The width of M in block 2
- 8. The height of P in block 2
- 9. The diameter of Q in block 2
- 10. The height of S in block 2
- 11. The length of T in block 2

- 7. _____
- 8. _____
- 9. _____
- 10. _____
- 11. _____

Block 3

- 12. The thickness of BB in block 3
- 13. The thickness of CC in block 3
- 14. The thickness of DD in block 3
- 15. The space of FF in block 3

- 12. _____
- 13. _____
- 14. _____
- 15. _____