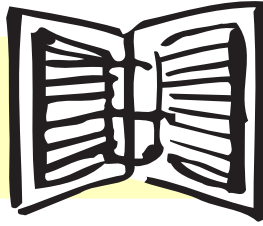


Name _____ Date _____

Class/Hour _____ Rotation # _____

Activity 7 Worksheet



Precision Measure Student Workbook

At the end of each activity, follow the instructions for taking the daily response tests. Write down your answers on this sheet and keep it to turn it in to your instructor. Do not write inside the workbook.

Using the thumb lock caliper, measure the sides of the blocks as indicated by the diagrams below. Express your answers in thousandths of an inch and record them on the blanks provided.

Block 1

A. The width of A _____

B. The height of B _____

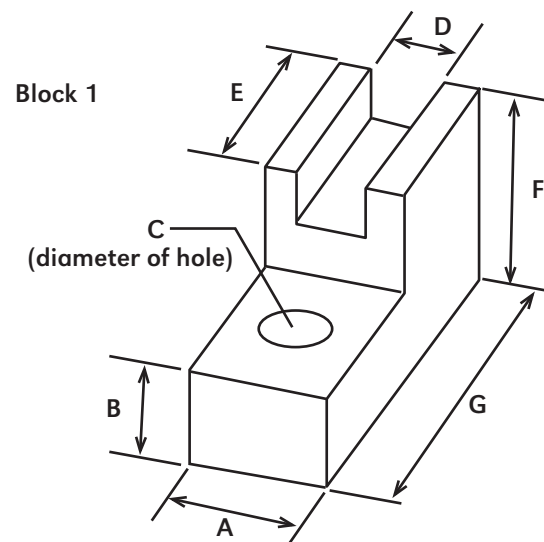
C. The diameter of C _____

D. The width of D _____

E. The length of E _____

F. The height of F _____

G. The length of G _____



Block 2

H. The width of H _____

I. The width of I _____

J. The diameter of J _____

K. The diameter of K _____

L. The width of L _____

