

Name \_\_\_\_\_ Date \_\_\_\_\_

Class/Hour \_\_\_\_\_ Rotation # \_\_\_\_\_

# Activity 6 Worksheet



## Precision Measure Student Workbook

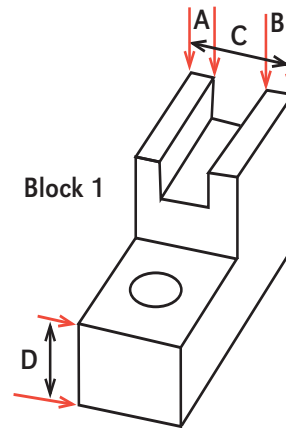
At the end of each activity, follow the instructions for taking the daily response tests. Write down your answers on this sheet and keep it to turn it in to your instructor. Do not write inside the workbook.

### Section I

Measure with the micrometer. Using the micrometer, measure the sides of blocks 1 and 2 as indicated on the diagrams below. Express your answers in thousandths of an inch and record them on the corresponding blanks below.

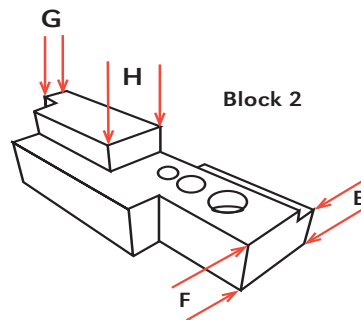
#### Block 1

- A. \_\_\_\_\_
- B. \_\_\_\_\_
- C. \_\_\_\_\_
- D. \_\_\_\_\_



#### Block 2

- E. \_\_\_\_\_
- F. \_\_\_\_\_
- G. \_\_\_\_\_
- H. \_\_\_\_\_



## Section II

Measure the various objects listed below and record the answers on the corresponding blanks.

1. the thickness of this paper 1. \_\_\_\_\_
2. the thickness of one of your hairs 2. \_\_\_\_\_
3. the thickness of the steel rule 3. \_\_\_\_\_
4. the thickness of one of the rings in this binder 4. \_\_\_\_\_
5. the thickness of the blade on the steel tape 5. \_\_\_\_\_