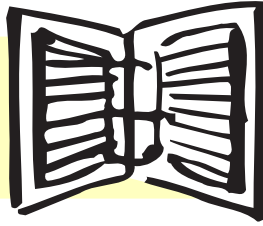


Name _____ Date _____

Class/Hour _____ Rotation # _____

Activity 5 Worksheet



Precision Measure Student Workbook

At the end of each activity, follow the instructions for taking the daily response tests. Write down your answers on this sheet and keep it to turn it in to your instructor. Do not write inside the workbook.

Section I

Use the feeler gauges to find the equivalent measure of the thickness of the blades as indicated below. If the measurement is in inches, write it in metric. If it is in metric, write it in inches.

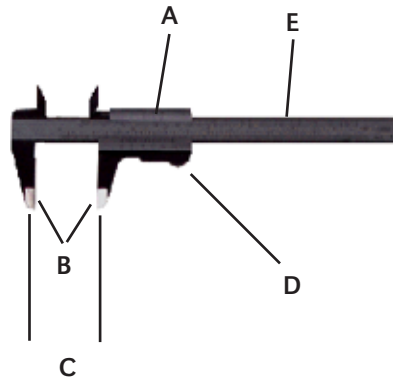
1. 0.025" _____
2. 0.0025" _____
3. 0.229mm _____
4. 0.330mm _____
5. 0.018" _____
6. 0.508mm _____
7. 0.021" _____
8. 0.022" _____
9. 0.584mm _____
10. 0.024" _____
11. 0.038mm _____
12. 0.010" _____
13. 0.152mm _____
14. 0.014" _____
15. 0.127mm _____

Section II

Identify the parts of precision measure tools. Study the illustrations of the precision tools below. Identify each part by writing the correct name in the blanks provided. If needed, refer to the media.

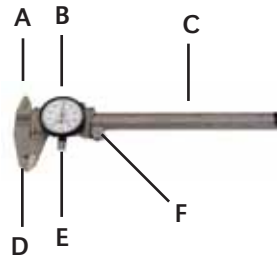
Thumb Lock Vernier Caliper

- A. _____
- B. _____
- C. _____
- D. _____
- E. _____



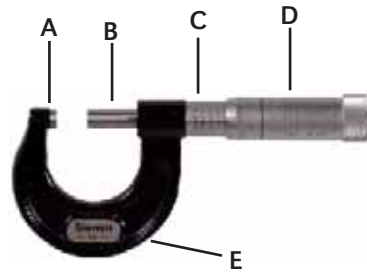
Dial Indicator Vernier Caliper

- A. _____
- B. _____
- C. _____
- D. _____
- E. _____
- F. _____



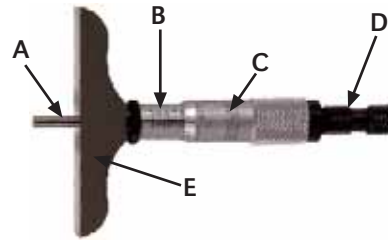
Micrometer

- A. _____
- B. _____
- C. _____
- D. _____
- E. _____



Micrometer Depth Gauge

- A. _____
- B. _____
- C. _____
- D. _____
- E. _____



Section III

Translate measurements to their equivalent forms. Study the measurements below. If you see the decimal measurement in its numerical form, translate it to its written form. If you see the measurement in its written form, translate it to its decimal numerical form.

Measurements

1. 0.018"
2. two inches and three hundred
and forty-five thousandths of an inch
3. 2.000"
4. nine tenths of an inch
5. 0.010"
6. 2.050"
7. seventy-five thousandths of an inch
8. seventeen hundredths of an inch
9. 0.300"
10. twelve inches and twenty-five
hundredths of an inch

Answers in inches

1. _____
2. _____
3. _____
4. _____
5. _____
6. _____
7. _____
8. _____
9. _____
10. _____