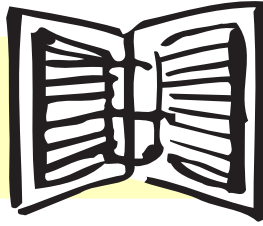


Name _____ Date _____

Class/Hour _____ Rotation # _____

Activity 3 Worksheet



Precision Measure Student Workbook

At the end of each activity, follow the instructions for taking the daily response tests. Write down your answers on this sheet and keep it to turn it in to your instructor. Do not write inside the workbook.

Section I

Lay out the metric rule next to the 1/16 rule. Find the English measurement on the 1/16 rule. Where that mark lines up with the millimeter metric rule is the millimeter measurement. Divide the millimeter amount by 10 to get the measurement in centimeters.

1. 5" = _____ mm _____ cm

2. 2" = _____ mm _____ cm

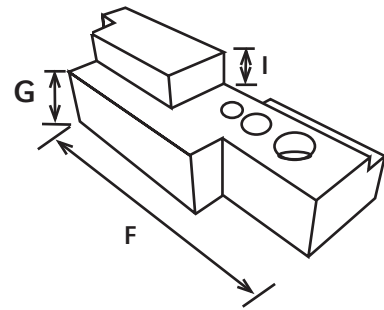
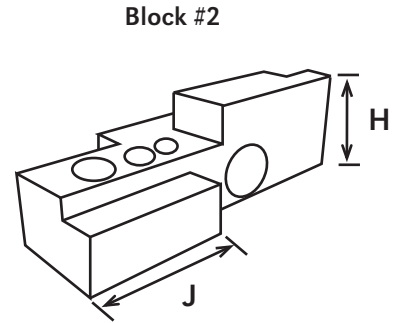
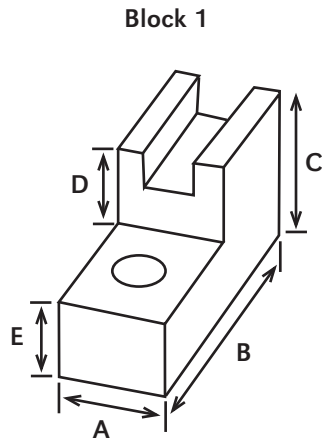
3. 3 1/2" = _____ mm _____ cm

4. 1 3/4" = _____ mm _____ cm

5. 4 5/8" = _____ mm _____ cm

Section II

Measure the indicated distances with the metric rule. Record these measurements in millimeters. Divide the amount in millimeters by 10 to obtain the measurement in centimeters.



Nearest mm

Nearest cm

- A. _____
- B. _____
- C. _____
- D. _____
- E. _____
- F. _____
- G. _____
- H. _____
- I. _____
- J. _____

- _____
- _____
- _____
- _____
- _____
- _____
- _____
- _____
- _____
- _____