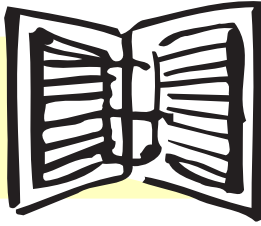


Name \_\_\_\_\_ Date \_\_\_\_\_

Class/Hour \_\_\_\_\_ Rotation # \_\_\_\_\_

# Activity 2 Worksheet



## Precision Measure Student Workbook

At the end of each activity, follow the instructions for taking the daily response tests. Write down your answers on this sheet and keep it to turn it in to your instructor. Do not write inside the workbook.

### Section I

Convert the fractions to decimals. Use the calculator to divide the numerator by the denominator. Write the correct answers on the blanks provided.

1.  $\frac{1}{5}$  \_\_\_\_\_

2.  $\frac{3}{4}$  \_\_\_\_\_

3.  $\frac{2}{3}$  \_\_\_\_\_

4.  $\frac{15}{16}$  \_\_\_\_\_

5.  $\frac{3}{8}$  \_\_\_\_\_

6.  $\frac{5}{8}$  \_\_\_\_\_

7.  $\frac{9}{10}$  \_\_\_\_\_

8.  $\frac{7}{16}$  \_\_\_\_\_

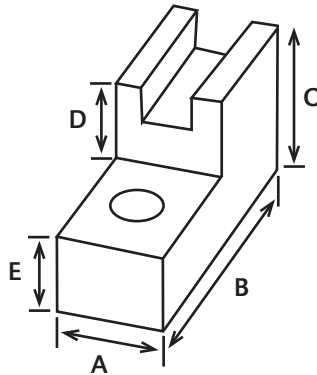
9.  $\frac{2}{5}$  \_\_\_\_\_

10.  $\frac{1}{2}$  \_\_\_\_\_

## Section II

Use the decimal rule to measure the sides of the blocks as indicated on the diagrams below. Express your answers in inches and write them on the corresponding blanks. Remember to record your answers in decimal measurements.

Block 1



A. \_\_\_\_\_

B. \_\_\_\_\_

C. \_\_\_\_\_

D. \_\_\_\_\_

E. \_\_\_\_\_

F. \_\_\_\_\_

G. \_\_\_\_\_

H. \_\_\_\_\_

I. \_\_\_\_\_

J. \_\_\_\_\_

Block #2

